

4

3

2

1

THIS DRAWING IS UNPUBLISHED.
DIFFUSION RESEINTE AMP

RELEASED FOR PUBLICATION

.19

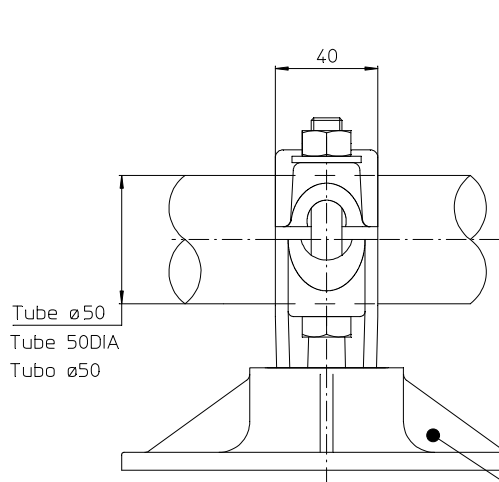
© COPYRIGHT 1997

BY AMP INCORPORATED. ALL RIGHTS RESERVED.
TOUS DROITS RESERVES

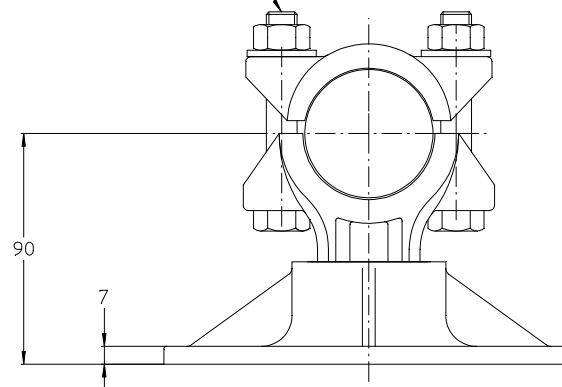
LOC DIST
FH 2

REVISIONS

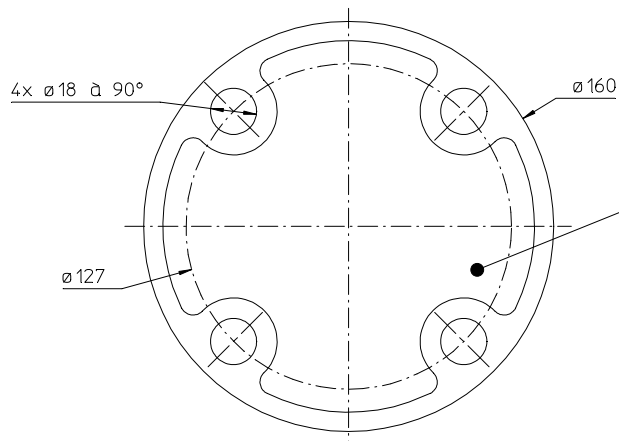
P	LTR REV	DESCRIPTION MODIFICATIONS	DATE	DWN DESS.	APVD APP.
C		EQ00-0057-02	18-Feb-02	EN	HV



- 60 Nm
- 4 Boulons ø12 inox A2
 - 4 Bolts 12DIA stainless steel A2
 - 4 Tornillos ø12 acero inoxidable A2



Orientable
Adjustable
Orientable



Fonte galvanisée
Galvanized cast iron
Fundición galvanizada

<small>THIS DRAWING IS A CONTROLLED DOCUMENT FOR AMP INCORPORATED. IT IS SUBJECT TO CHANGE AND THE CONTROLLING ENGINEERING ORGANIZATION SHOULD BE CONTACTED FOR THE LATEST REVISION. CE PLAN EST UN DOCUMENT CONTROLÉ PAR AMP INCORPORATED. IL EST SUSCEPTIBLE D'ÊTRE REVISÉ, CONTACTER LE SERVICE TECHNIQUE D'AMP SIMEL POUR OBTENIR LA DERNIÈRE REVISION.</small>		DWN /DESSINE NIVONIS 18-Feb-02	tyco	SIMEL
		CHK /VERIFIE ROYER 18-Feb-02	Electronics	21220 Gevrey Chambertin FRANCE
DIMENSIONS: mm	TOLERANCES UNLESS OTHERWISE SPECIFIED PER TOLERANCES NON SPECIFIEES SELON : -	APVD /APPROUVE VIAL	NAME TITRE S 971 50A 127	
		PRODUCT SPEC SPEC. PRODUIT 02BFH0062	SIZE FORMAT A3	CAGE CODE 00779
MATERIAL MATIERE -	FINISH FINITION -	APPLICATION SPEC SPEC. APPLICATION -	WEIGHT MASSE APPROX. 1.63 KG	DRAWING NO No PLAN C-711137
		CUSTOMER DWG / PLAN CLIENT	UNIQUEMENT POUR REFERENCE	SCALE ECHELLE 1/2
				SHEET FEUILLE 1 OF 1 DE 1
				REV C

ITEM: ○